

Low Profile Compression Disc



FEATURES

- Capacities 0.1, 0.2, 0.3, 0.5, 60, 200 t
- IP66 protection
- Compact size with low profile
- Alloy steel construction
- (Low capacities 0.1, 0.2, 0.3 and 0.5 t aluminum construction)

DESCRIPTION

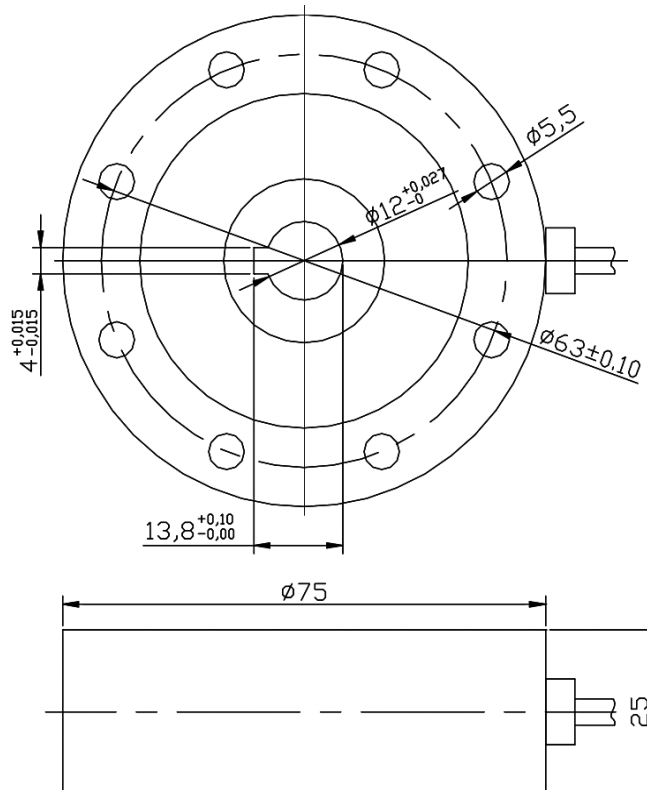
The Model MFT compression disc is a suitable solution for applications in which height is a major safety concern. The shear web design provides excellent performance even when side forces are inevitable.

This product is suitable for testing machines, platform scales, hoppers and tank weighing.

APPLICATIONS

- Testing machines
- Hopper/tank/vessel weighing

OUTLINE DIMENSIONS (100, 200, 300, 500 kg) in millimeters



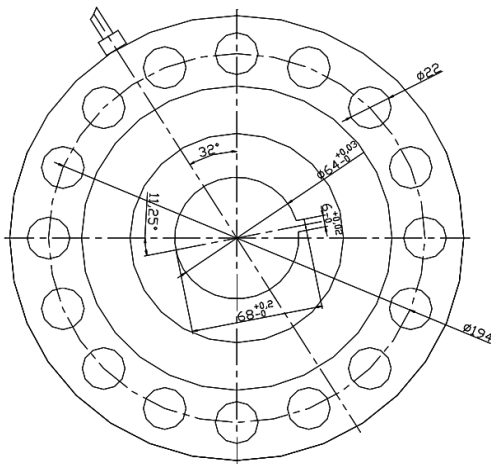
Cable specification

Cable length: 4 m

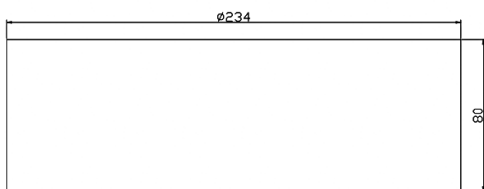
- +Excitation (Red)
- Excitation (Black)
- +Signal (Green)
- Signal (White)

All dimensions in mm

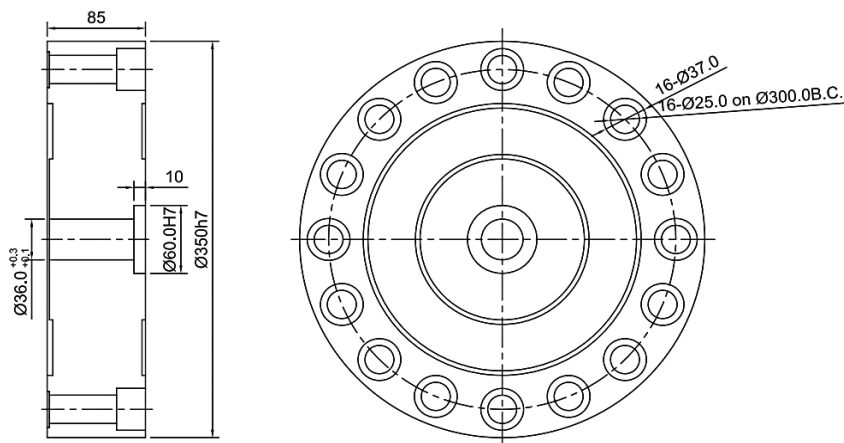
OUTLINE DIMENSIONS (60 t) in millimeters



Cable specification
Cable length: 8 m
 +Excitation (Red)
 - Excitation (Black)
 +Signal (Green)
 - Signal (White)



OUTLINE DIMENSIONS (200 t) in millimeters





SPECIFICATIONS

PARAMETER	VALUE	UNIT
Rated capacity—RC (Emax)	0.1, 0.2, 0.3, 0.5, 60, 200	t
Rated output—RO	2.0	mV/V
Rated output tolerance	10.0 (0.1, 0.2, 0.3, 0.5 t), 1.0 (60 t), 5.0 (200 t)	±% of RO
Zero balance	1.0 (0.1~60 t) 3.0 (200 t)	±% of RO
Zero return, 30 min.	0.03 (200 t)	±% of applied load
Zero return, 20 min.	0.05 (0.1~60 t)	±% of applied load
Temperature effect on zero on span	0.0026 (0.1~200 t) 0.0015 (0.1~60 t), 0.003 (200 t)	±% of RO/°C ±% of RO/°C
Nonlinearity	0.1 (0.1~200 t)	±% of RO
Nonrepeatability	0.05 (0.1~60 t), 0.02 (200 t)	±% of RO
Creep error (20 minutes)	0.05 (0.1~60 t)	±% of applied load
Creep error (30 minutes)	0.03 (200 t)	±% of applied load
Deflection at rated load	<0.5 (0.1~60 t), <1 (200 t)	mm
Hysteresis error	0.10 (0.1, 0.2, 0.3, 0.5, 200 t), 0.15 (60 t)	±% of RO
Temperature range, compensated	-10 to +40	°C
Temperature operating range, safe	-20 to +60	°C
Maximum safe central overload	150	% of R.C.
Ultimate central overload	200	% of R.C.
Excitation recommended maximum	10 15	VDC or VACRMS VDC or VACRMS
Input impedance	385 ±15 (60 t), 410 ±10 (200 t)	
Output impedance	050 ±20 (0.1, 0.2 t), 350 ±15 (0.3, 0.5 t), 350 ±15 (60 t), 350 ±3 (200 t)	
Insulation resistance	>5000	M
Cable length	4 (0.1~0.5 t), 8 (60 t), 10 (200 t)	m

RO—Rated Output
RC—Rated Capacity

All specifications are subject to change without notice.



Disclaimer

ALL PRODUCTS, PRODUCT SPECIFICATIONS AND DATA ARE SUBJECT TO CHANGE WITHOUT NOTICE.

Vishay Precision Group, Inc., its affiliates, agents, and employees, and all persons acting on its or their behalf (collectively, "Vishay Precision Group"), disclaim any and all liability for any errors, inaccuracies or incompleteness contained herein or in any other disclosure relating to any product.

The product specifications do not expand or otherwise modify Vishay Precision Group's terms and conditions of purchase, including but not limited to, the warranty expressed therein.

Vishay Precision Group makes no warranty, representation or guarantee other than as set forth in the terms and conditions of purchase. **To the maximum extent permitted by applicable law, Vishay Precision Group disclaims (i) any and all liability arising out of the application or use of any product, (ii) any and all liability, including without limitation special, consequential or incidental damages, and (iii) any and all implied warranties, including warranties of fitness for particular purpose, non-infringement and merchantability.**

Information provided in datasheets and/or specifications may vary from actual results in different applications and performance may vary over time. Statements regarding the suitability of products for certain types of applications are based on Vishay Precision Group's knowledge of typical requirements that are often placed on Vishay Precision Group products. It is the customer's responsibility to validate that a particular product with the properties described in the product specification is suitable for use in a particular application.

No license, express, implied, or otherwise, to any intellectual property rights is granted by this document, or by any conduct of Vishay Precision Group.

The products shown herein are not designed for use in life-saving or life-sustaining applications unless otherwise expressly indicated. Customers using or selling Vishay Precision Group products not expressly indicated for use in such applications do so entirely at their own risk and agree to fully indemnify Vishay Precision Group for any damages arising or resulting from such use or sale. Please contact authorized Vishay Precision Group personnel to obtain written terms and conditions regarding products designed for such applications.

Product names and markings noted herein may be trademarks of their respective owners.